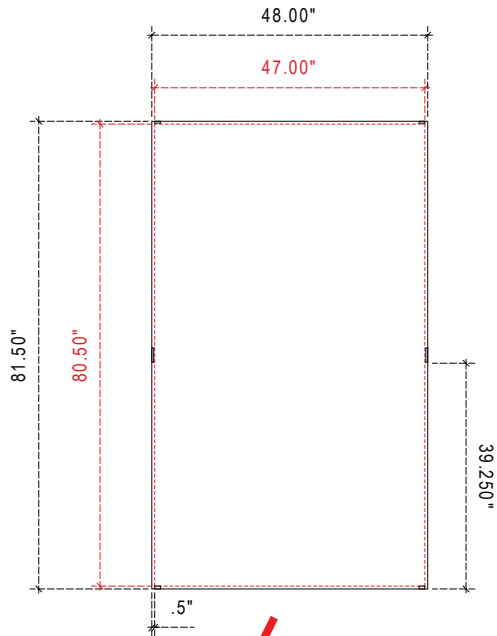
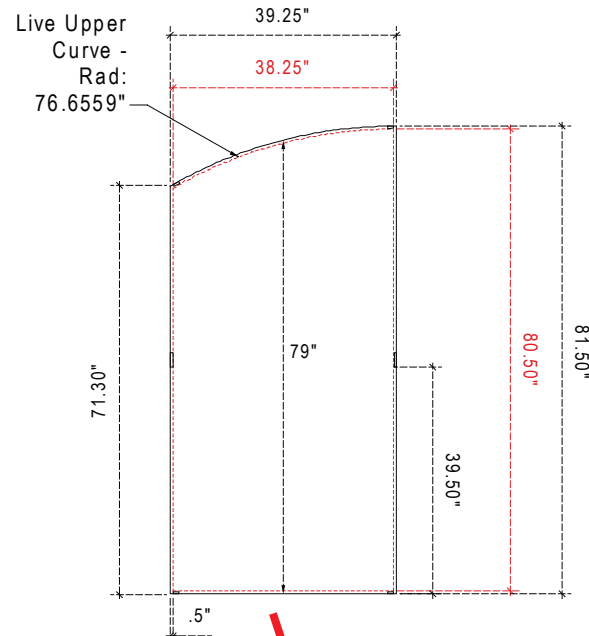


Backwall Tension Fabric Graphics (Included)



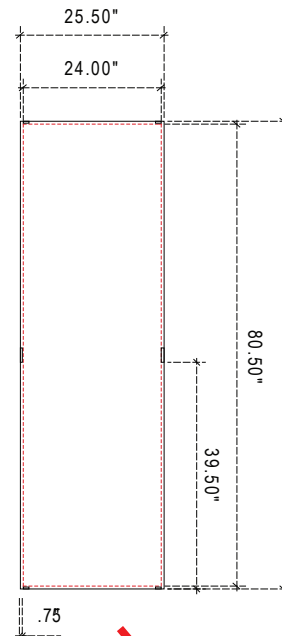
Finished Size: 48\"w x 81.50\"h
Live Area: 47\"w x 80.50\"h
Add 1/2\" bleed around perimeter

Sew 1/2\" hook Velcro into **front perimeter**



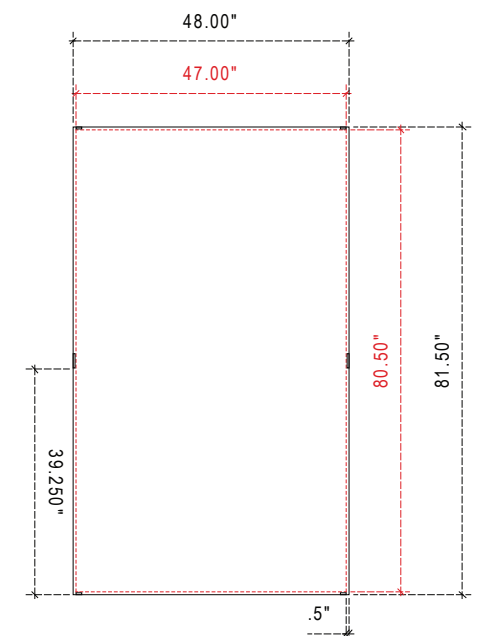
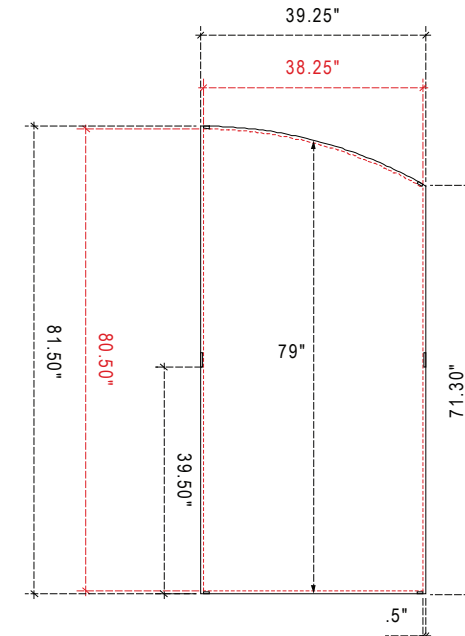
Finished Size: 39.25\"w x 81.50\"h
Live Area: 38.25\"w x 80.50\"h
Add 1/2\" bleed around perimeter

Sew 1/2\" hook Velcro into **front perimeter**



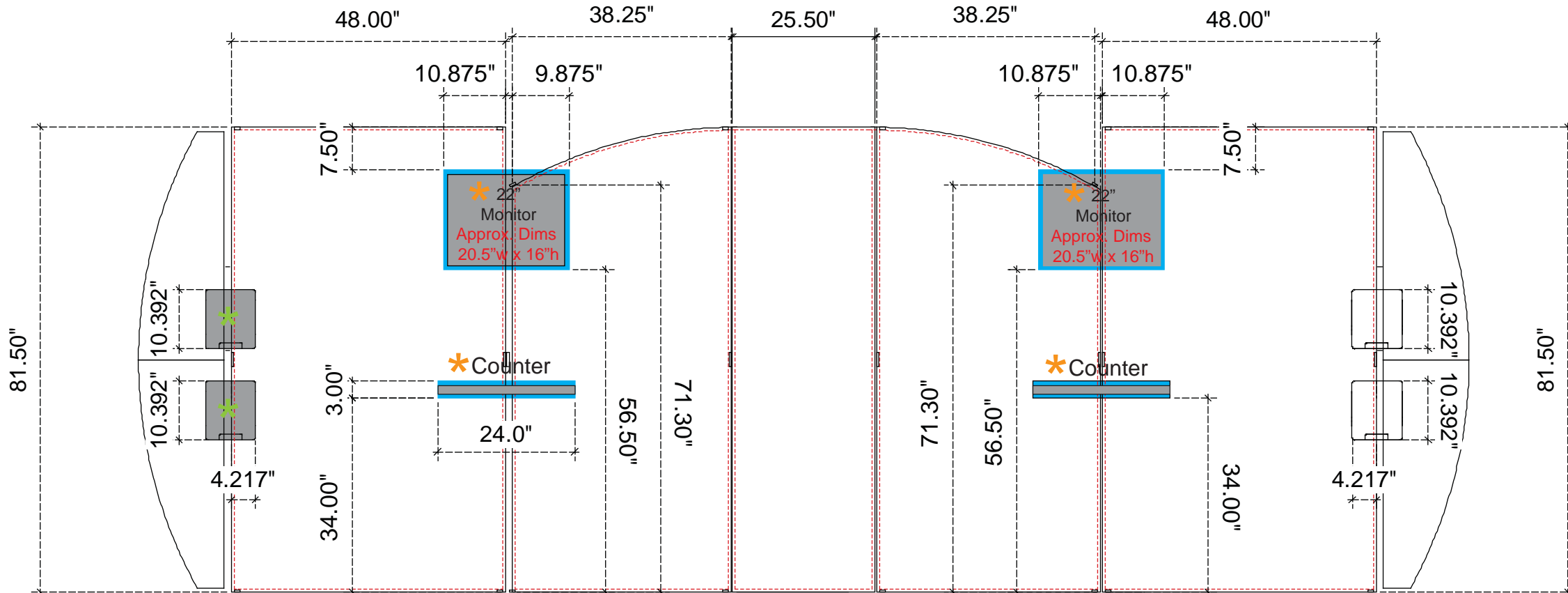
Finished Size: 25.5\"w x 81.50\"h
Live Area: 24\"w x 80.50\"h
Add 3/4\" bleed around perimeter

Sew 1/2\" hook Velcro into **front perimeter**



NOTE: Graphic files must be @ 150 dpi Finished Size.
DO NOT send Flattened Files. Production can not manipulate the content, proportion or color of these files.

NOTE: These dimensions are for graphic layout purposes.
Graphic needs to be cut and test fitted to Sacagawea frame.



Blue Area indicates 3/4" bleed area around the counter and the monitor

* Note: When adding Monitors, Counter and Accessories to the Sacagawea unit, portions of the graphic will be covered. Please design graphic layout according to suggested locations.

* Note: The height of Literature Racks and Graphic Panels can be adjustable.

NOTE: Graphic files must be @ 150 dpi Finished Size. DO NOT send Flattened Files. Production can not manipulate the content, proportion or color of these files.

NOTE: These dimensions are for graphic layout purposes. Graphic needs to be cut and test fitted to Sacagawea frame.

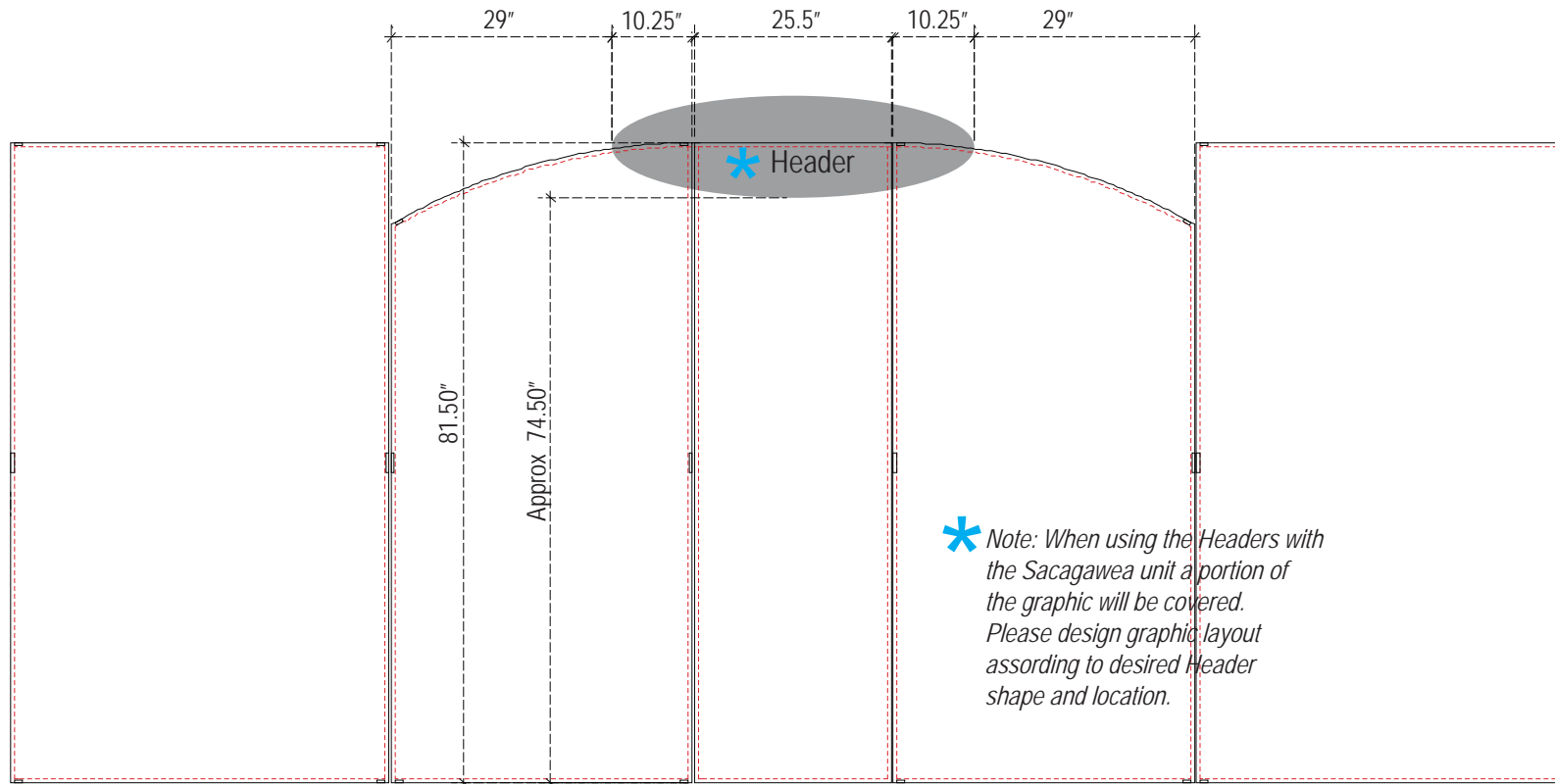
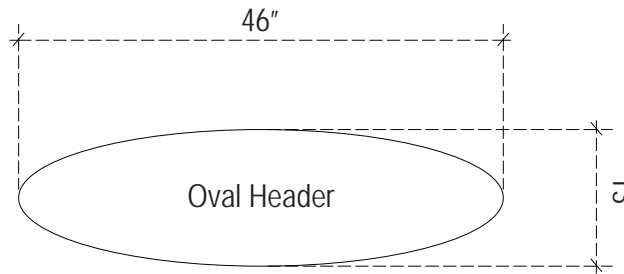
NOTE: Graphic files must be @ 150 dpi Finished Size.

Product Name: Sacagawea PS

Process: Direct Print

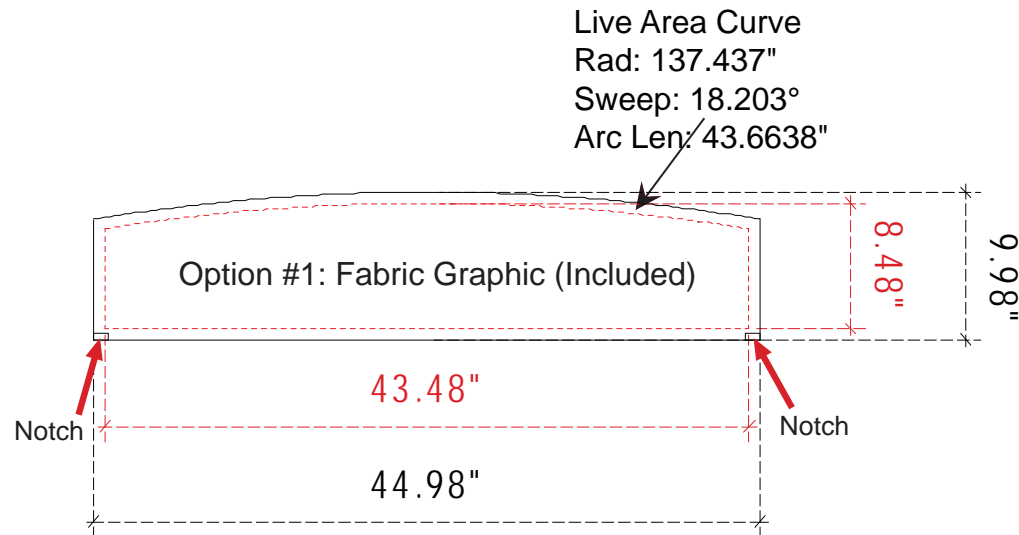
Material: 1/4" Sintra

Effective Date: 04/20/2012



NOTE: These dimensions are for graphic layout purposes.
Graphic needs to be cut and test fitted to Sacagawea frame.

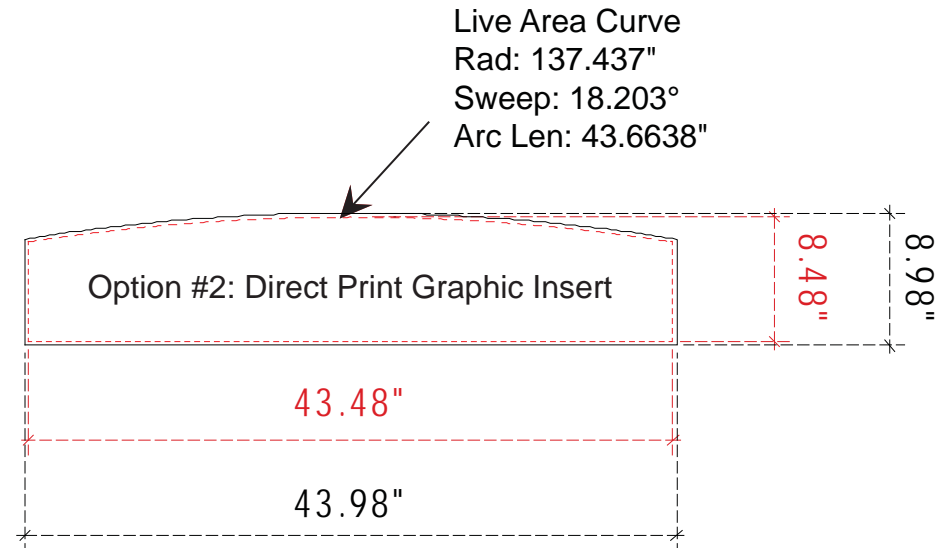
Header Fabric Graphic



Finished Size: 44.98"w x 9.98"h
Live Area: 43.48"w x 8.48"h

Add 3/4" bleed around perimeter
Sew 1/2" Velcro into front perimeter

1/4" Direct Print Header Graphic



Finished Size: 43.98"w x 8.98"h
Live Area: 43.48"w x 8.48"h

Add 1/4" bleed around perimeter

**NOTE: Graphic files must be @ 150 dpi Finished Size.
DO NOT send Flattened Files. Production can not manipulate
the content, proportion or color of these files.**

*A small portion of your graphic(s) may be hidden by monitor and counter.
Please use these diagrams to position your graphics correctly.*

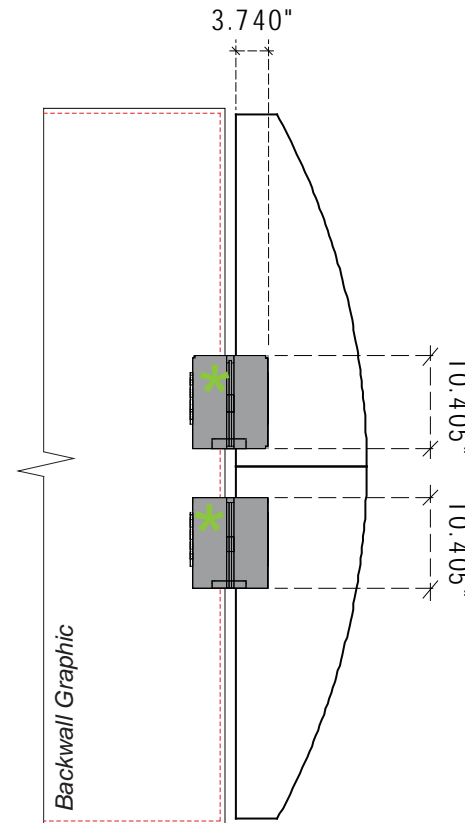
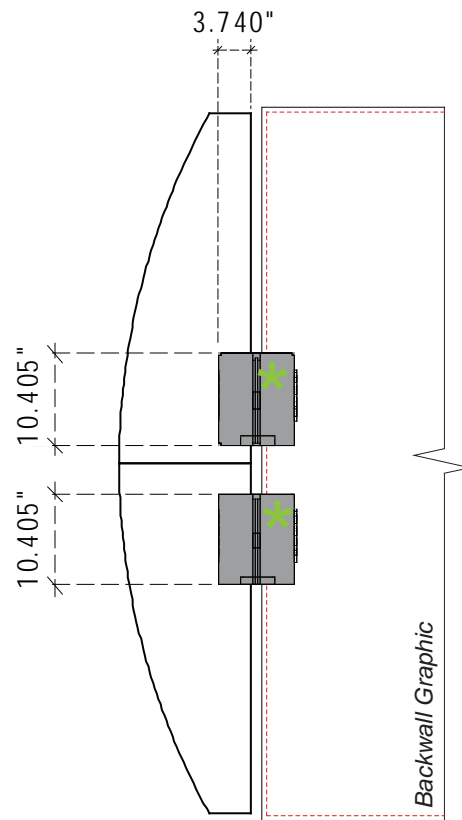
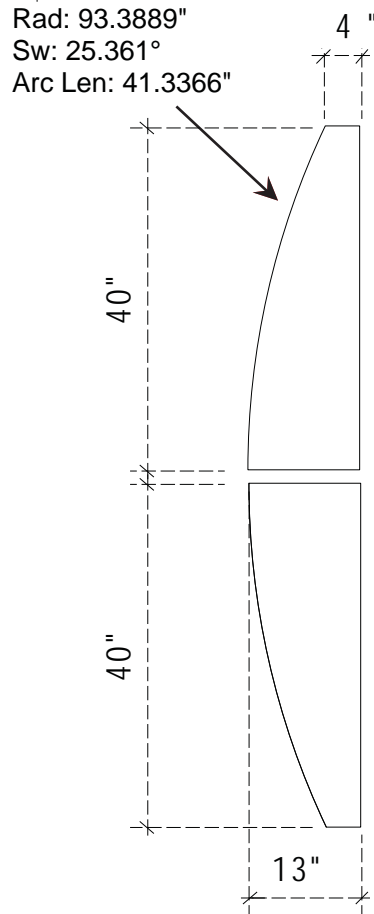
Product Name: Sacagawea PS

Process: Direct Print

Material: 1/4" Sintra

Effective Date: 7/06/2011

Convex Wing
Unit includes (2) Bottom Panel and (2) Upper Panel



* Note: The height of Literature Racks can be adjustable.

**NOTE: Graphic files must be @ 150 dpi Finished Size.
DO NOT send Flattened Files. Production can not manipulate
the content, proportion or color of these files.**